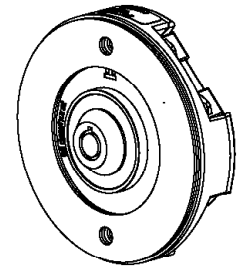


Key Switches

Types US90 and US91 (Low Profile)



Publication Number PB170/0619

Application

Dewhurst Low Profile Key Switches are designed to complement our range of pushbuttons and indicators and are available in a wide range of options such as brass or stainless steel finishes and flat keys or round (high security) keys. They are suitably rated to cater for typical applications in lift installations requiring key switch control such as fans, lighting and transfer of car operation controls. Due to its low profile it is ideally suited for use in low profile landing stations.

Operation

All Key Switches, except spring return, are supplied for the key to remain set at 90° positions. Key removable and trapped positions are indicated overleaf.

Construction

A lock barrel, with either a standard flat key or high security round key, is fixed into the switch body assembly which has stainless steel or brass front finishes. The switch body is then securely fixed to a faceplate. The switch body carrying the contact blocks is designed so that any loads are not borne by the contacts.

Technical

Weight	114gms (max)
Moulded in:	High grade polycarbonate
Environmental protection:	IP54 (frontal presentation)
Metal front:	Brushed stainless steel (standard), mirrored stainless steel, brass & mirrored brass (optional)
Approved to:	UL, CSA, LUL
Conforms to:	BSEN60947-3, IEC 60947-3, VDE 0660 Part 107

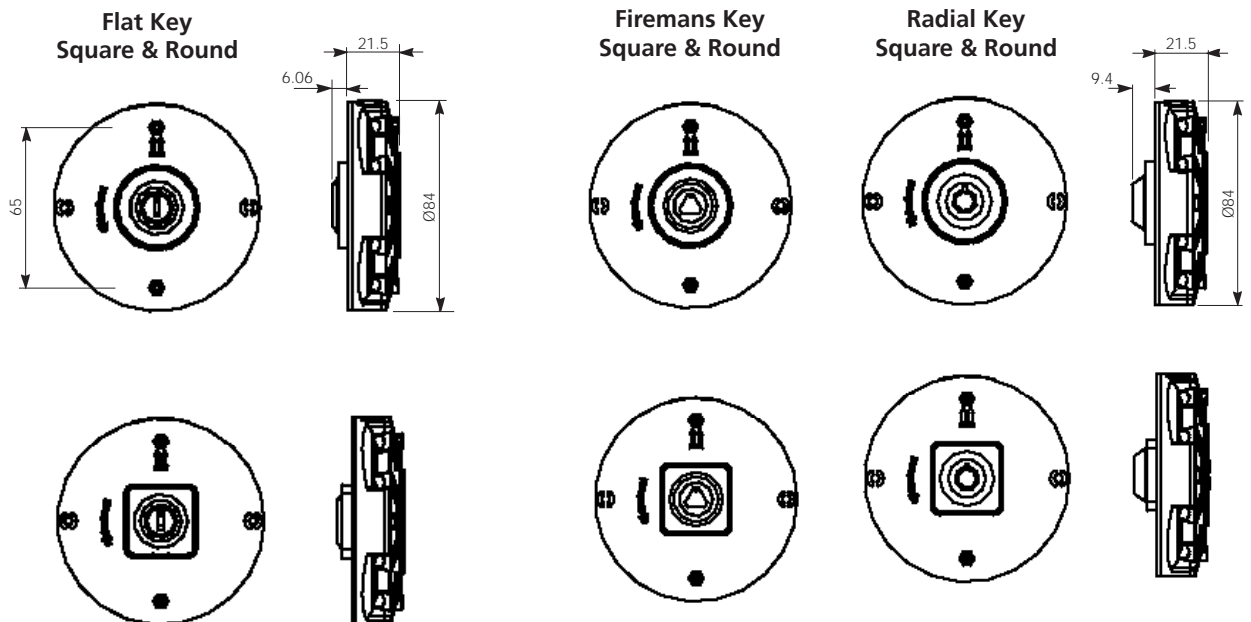
Rating

5A@240V a.c., 6.0A@110V d.c., 20A@24V d.c.
Maximum wire gauge per terminal is 2 x 2.5mm².

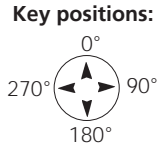
The Key Switches can be supplied loose, or incorporated into stations with 1.5mm, 2.5mm stainless steel or 3mm brass faceplates with a vertical pitch of 87mm and horizontal pitch of 87mm. Spacers are provided to enable flush mounting.

Marking

Functions and designations can be marked on the faceplate.



	Movement	Flat key type & release	Round key type & release	Contact options
Standard Movement	0°-90°	F1 F2	R1 R2	A or B or C only
	270°-0°	F1 F2	R1 R5	D or E or F only
	270°-0°-90°	F1 F2	R1 R2 R3 R5	G or H or I or J or T only
	360°	F1 F2	R6 R4	K or L or M or N only
Spring Movement	0°-45°	F1	R1	P or Q or R only
	315°-0°-45°	F1	R1	S or U or W only



ORDERING

To order, combine the finish and the mechanical. For example, if you require a US91 low profile keyswitch in brush stainless steel to go 0-90° with a flat key and contact A, the code is KUS91L BS F1 A.

To order equivalents of commonly used Dewhurst keyswitches you need to use the following codes for the last three digits.

Flat Key		Round Key	
KA-R	F2M	KA-R	R4M
KA-T	F1M	KA-T	R6M
KB-R	F2A	KB-R	R2A
KB-T	F1A	KB-T	R1A
KS	F1Q	KS	R1Q

Please remember to include in the code the first seven digits to indicate style, finish and illumination.

BS = Brushed Stainless Steel, MS = Mirror Stainless Steel, BB = Brushed Brass, MB - Mirrored Brass

	Style/shape		Finish		Mechanical	Contact Arrangement
Options	Square US90	Round US91	Stainless Steel	Brass	Key type & release option	
Code	KUS90L	KUS91L	BS MS	BB MB	Select one of F1/ F2 or R1-R6 FR = Firemans	Select one of A-Y using table below

A	KEY POSITION				
CONTACT	0°	90°	180°	270°	
1 - 2	O	C	-	-	
3 - 4	O	C	-	-	
-	-	-	-	-	
-	-	-	-	-	

MOVEMENT 90°

G	KEY POSITION				
CONTACT	0°	90°	180°	270°	
1 - 2	O	C	-	O	
3 - 4	O	O	-	C	
-	-	-	-	-	
-	-	-	-	-	

MOVEMENT 180°

M	KEY POSITION				
CONTACT	0°	90°	180°	270°	
1 - 2	O	C	C	C	
3 - 4	C	C	O	C	
5 - 6	C	O	O	O	
7 - 8	O	O	C	O	

MOVEMENT 360°

T	KEY POSITION				
CONTACT	0°	90°	180°	270°	
1 - 2	C	O	-	O	
3 - 4	O	C	-	O	
5 - 6	O	O	-	C	
-	-	-	-	-	

MOVEMENT 180°

B	KEY POSITION				
CONTACT	0°	90°	180°	270°	
1 - 2	O	C	-	-	
3 - 4	O	C	-	-	
5 - 6	O	C	-	-	
7 - 8	O	C	-	-	

MOVEMENT 90°

H	KEY POSITION				
CONTACT	0°	90°	180°	270°	
1 - 2	O	C	-	O	
3 - 4	C	O	-	O	
-	-	-	-	-	
-	-	-	-	-	

MOVEMENT 180°

N	KEY POSITION				
CONTACT	0°	90°	180°	270°	
1 - 2	O	C	C	C	
3 - 4	C	C	O	C	
5 - 6	O	C	C	C	
7 - 8	C	C	O	C	

MOVEMENT 360°

U	KEY POSITION				
CONTACT	0°	45°	270°	315°	
1 - 2	O	C	-	C	
3 - 4	C	O	-	C	
-	-	-	-	-	
-	-	-	-	-	

SPRING RETURN TO 0°

C	KEY POSITION				
CONTACT	0°	90°	180°	270°	
1 - 2	O	C	-	-	
3 - 4	C	O	-	-	
5 - 6	O	C	-	-	
7 - 8	C	O	-	-	

MOVEMENT 90°

I	KEY POSITION				
CONTACT	0°	90°	180°	270°	
1 - 2	O	C	-	O	
3 - 4	C	O	-	C	
5 - 6	O	O	-	C	
7 - 8	C	C	-	O	

MOVEMENT 180°

P	KEY POSITION				
CONTACT	0°	45°	180°	270°	
1 - 2	O	C	-	-	
3 - 4	O	C	-	-	
-	-	-	-	-	
-	-	-	-	-	

SPRING RETURN TO 0°

W	KEY POSITION				
CONTACT	0°	90°	180°	270°	
1 - 2	C	O	O	O	
3 - 4	O	C	O	O	
5 - 6	O	O	C	O	
7 - 8	O	O	O	C	

MOVEMENT 360°

D	KEY POSITION				
CONTACT	0°	90°	180°	270°	
1 - 2	O	-	-	C	
3 - 4	O	-	-	C	
-	-	-	-	-	
-	-	-	-	-	

MOVEMENT 90°

J	KEY POSITION				
CONTACT	0°	90°	180°	270°	
1 - 2	O	C	-	O	
3 - 4	O	C	-	O	
5 - 6	O	O	-	C	
7 - 8	O	O	-	C	

MOVEMENT 180°

Q	KEY POSITION				
CONTACT	0°	45°	180°	270°	
1 - 2	O	C	-	-	
3 - 4	C	O	-	-	
-	-	-	-	-	
-	-	-	-	-	

SPRING RETURN TO 0°

Y	KEY POSITION				
CONTACT	0°	90°	180°	270°	
1 - 2	O	C	O	-	
3 - 4	O	O	C	-	
5 - 6	C	O	C	-	
7 - 8	C	C	O	-	

MOVEMENT 180°

E	KEY POSITION				
CONTACT	0°	90°	180°	270°	
1 - 2	O	-	-	C	
3 - 4	O	-	-	C	
5 - 6	O	-	-	C	
7 - 8	O	-	-	C	

MOVEMENT 90°

K	KEY POSITION				
CONTACT	0°	90°	180°	270°	
1 - 2	O	C	O	C	
3 - 4	C	O	C	O	
-	-	-	-	-	
-	-	-	-	-	

MOVEMENT 360°

R	KEY POSITION				
CONTACT	0°	45°	180°	270°	
1 - 2	C	O	-	-	
3 - 4	C	O	-	-	
5 - 6	-	-	-	-	
7 - 8	-	-	-	-	

SPRING RETURN TO 0°

S	KEY POSITION				
CONTACT	0°	45°	270°	315°	
1 - 2	O	C	-	O	
3 - 4	O	C	-	O	
5 - 6	O	O	-	C	
7 - 8	O	O	-	C	

SPRING RETURN TO 0°

F	KEY POSITION				
CONTACT	0°	90°	180°	270°	
1 - 2	O	-	-	C	
3 - 4	C	-	-	O	
5 - 6	O	-	-	C	
7 - 8	C	-	-	O	

MOVEMENT 90°

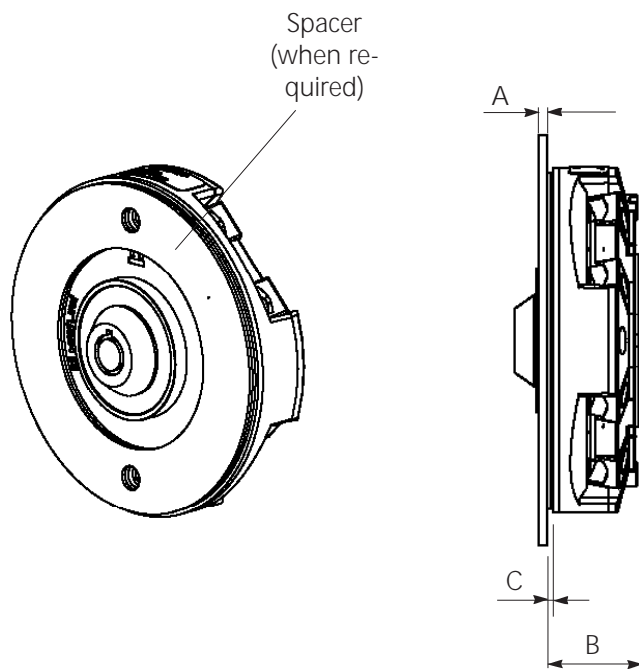
L	KEY POSITION				
CONTACT	0°	90°	180°	270°	
1 - 2	C	O	O	C	
3 - 4	O	O	O	C	
-	-	-	-	-	
-	-	-	-	-	

MOVEMENT 360°

S	KEY POSITION				
CONTACT	0°	45°	270°	315°	
1 - 2	O	C	-	O	
3 - 4	O	C	-	O	
5 - 6	O	O	-	C	
7 - 8	O	O	-	C	

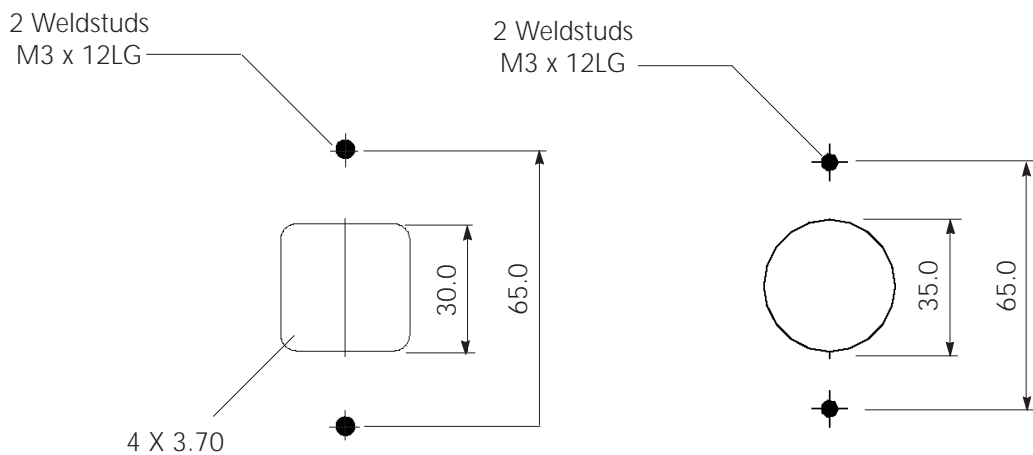
SPRING RETURN TO 0°

Key
CONTACT = Contact block terminal numbers
O = Open
C = Closed



Dimensions		
Faceplate Thickness A	Overall Depth B	Spacers C
Any	21.5	N/A
1.5	23.5	2
2	23	1.5
2.5	22.5	1
3	22	0.5

SPACER DETAILS



CUTOUT DETAILS