



Dewhurst US100 Compact 2 Pushbutton

The US100 Pushbutton is the most vandal resistant of the pushbuttons within our range. The stainless steel pressel is set within a stainless steel bezel, which it bottoms out on, making it highly resistant to impact attacks. Illumination is provided through a small insert moulded lens in the centre of the button. Although the US100 is extremely vandal resistant, its clean lines have made it very popular and it has been used in some of the most prestigious installations around the world as well as some of the harshest.

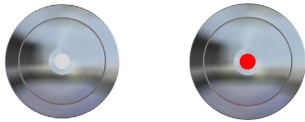
Features & Benefits

- Classic Design
- Highly vandal resistant
- Pressel/surround assembly is locked to the faceplate
- Large range of pressel legends
- Matching range includes keyswitches, rocker switches and indicators
- Also available with C3 body
- Meets EN81-1/2, EN81-71 (Category 2), EN81-72, EN81-73, EN60529 (IP44)



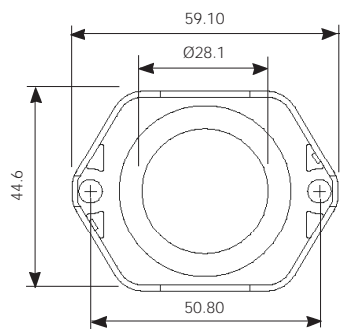
Illumination, Finishes & Marking

- Non or red illumination as standard
- Stainless steel pressel finish

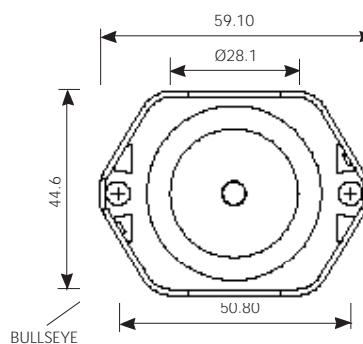


Non or red illumination

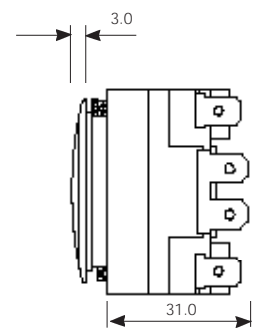
Dimensions



US100 NON ILLUMINATED



US100 ILLUMINATED

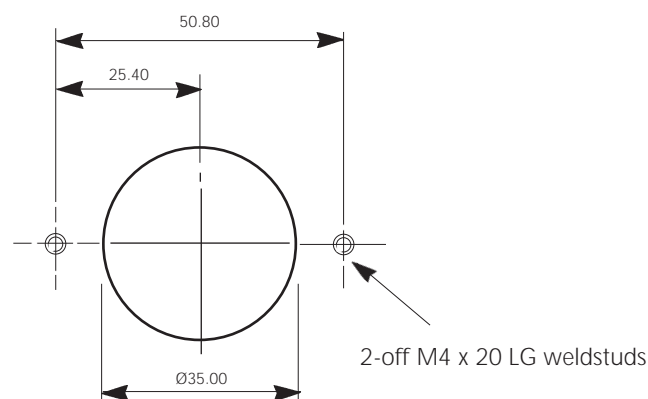


Compact 2 Pushbuttons can be supplied loose or incorporated into stations with 1.5mm or 2.5mm stainless steel faceplates, with a vertical pitch of 50mm and horizontal pitch of 60mm i.e the pushbutton body can be rotated through 90 degrees (horizontal version shown above). If pushbuttons are supplied loose, spacers are provided to accommodate the differing faceplate thickness.

Technical Details

Weight:	96grms		
Moulded in:	High grade polycarbonate		
Pressel plate material:	304 stainless (standard)		
Pressel plate area:	620mm ²		
Button force:	3.5N		
Pushbutton size:	59.1mm w x 44.6mm h x 32.0mm d		
Pressel size:	Ø28.1 x 3.0 deep		
Legend size:	N/A		
LED current:	20mA (typically)		
LED voltage:	12/24/30/48/110V a.c./d.c. ±15%		
Operation:	Wiping action, slow make and break with solid silver contacts		
Ratings:	10 amps max		
	240V a.c. at 3.0 amps max. resistive loads	- min. no. of operations:	1 x 10 ⁶
	240V d.c. at 0.5 amps max. resistive loads	- min. no. of operations:	2 x 10 ⁶
	110V d.c. at 100mA max. inductive TC40ms	- min. no. of operations:	1 x 10 ⁶
	24V d.c. at 20mA max. resistive loads	- min. no. of operations:	5 x 10 ⁶
	12V d.c. at 5mA max. resistive loads	- min. no. of operations:	10 x 10 ⁶
Contact arrangements:	2 N/O, 2 N/C or 1 N/O + 1 N/C		<small>Please note that it is possible for the N/O contact to make before the N/C contact has opened on the 1 N/O + 1 N/C configuration</small>
Code compliance:	Meets EN81-1/2, EN81-71(Category 2), EN81-72, EN81-73		
IP Rating:	EN60529 (IP44)		

Cutouts & Stud Positions



Cleaning your US100 Pushbutton

Many Dewhurst lift products are made of **polycarbonate** (Using GE's **Lexan®** or Bayer's **Makrolon®**).

The US100 is highly durable and vandal resistant but the plastic parts can be damaged by aggressive cleaning agents, Dewhurst therefore recommends:



Clean the part with a **cotton cloth and warm water** before applying the cleaning product



Use **PH-neutral or slightly acid cleaning products only** (including aromatised ones) Ethylic alcohol, isopropyl alcohol or ethylene glycol based multipurpose cleaning products and dish soaps are suggested.



Dilute the cleaning product in warm water and apply using a wet cotton cloth.



Grease, glue and paint may be removed with ethylic alcohol or isopropyl alcohol.

Recommended Cleaning Products (*):

Europe	North America
Windus - Brial Top - Ecolab Mr. Proper Surfaces Delicates - Proctor & Gamble Palmolive, Colgate Palmolive	Formula 409® Cleaner Degreaser Joy®, Proctor & Gamble Windex, Drackett Products Palmolive, Colgate Palmolive

(*): Due to the vast number of cleaning products available on the market, the list of recommended products above is an illustration only

Note:

- Do not use abrasive cleaning agents
- Do not use sharp tools to remove dirt (chewing gum, glue, etc.)
- Do not use solvents based with Ketones, benzene, methanol, toluene (also known as methylbenzene or phenyl methane) or alkaline and ammonia based cleaning agents
- Do not use cleaning agents at high temperatures
- Do not leave cleaning agents on the parts for long periods: remove immediately after cleaning using a wet cotton cloth and warm water
- Do not use dry cotton cloths and sponges